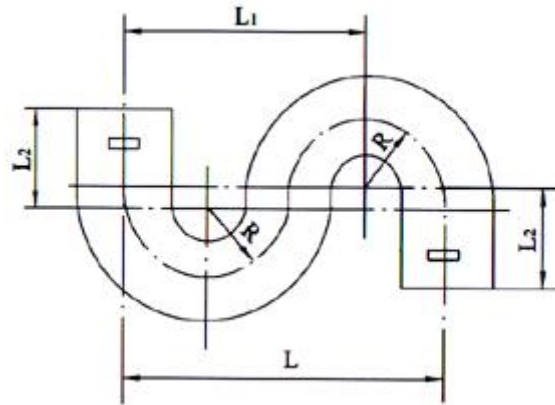


EN877 S trap

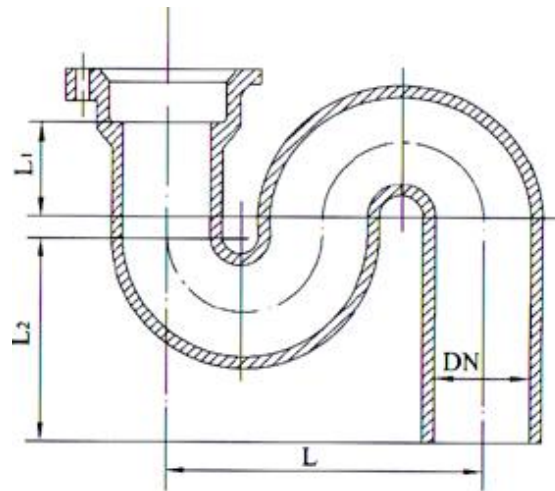


Dimension sheet

Unit size: mm

DN	L	L1	L2	R
50	204	153	51	51
75	256	192	83	64
100	304	228	102	76
150	408	306	152	102

ASTM A74 S trap



Dimension sheet

Unit size: mm

DN	L	L1	L2
50	160	90	145
75	210	90	160
100	260	115	190
125	314	152	233
150	372	180	300