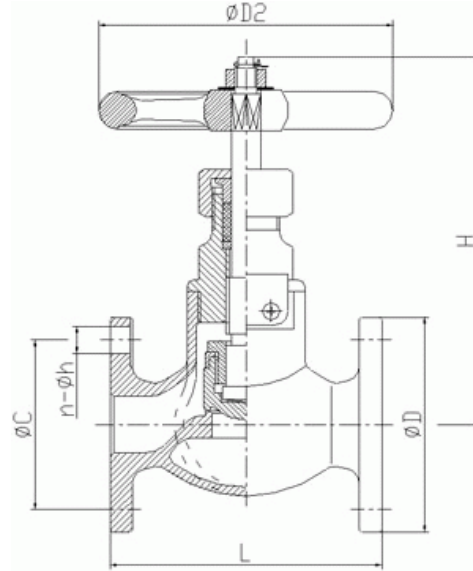
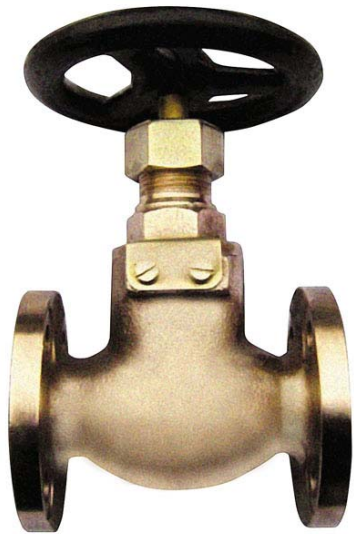


JIS F7303 Globe Valve 16K



Dimension sheet

DN	L	D2	H	Flange size			Weight (Kg)
				D	n	h	
15	110	80	130	95	4	15	2.76
20	120	100	140	100	4	15	3.72
25	130	125	160	125	4	15	5.20
32	160	125	170	135	4	19	6.91
40	180	140	190	140	4	19	8.43

Material sheet

NO.	Component	Material	NO.	Component	Material
1	Body	BC6	10	Hexagon nut	C3604 BD
2	Bonnet	BC6 or C3771BD	11	Split pin	C2600 W
3	Disc		12	Lock plate	C2600 P
4	Valve disc nut		13	Disc lock washer	
5	Packing gland		14	Stud	C3771 BD
6	Gland nut		15	Hexagon nut	C3604 BD
7	Stem		C3771 BD	16	Packing
8	Cross recessed panHead machine screw	C2700 W	17	Gasket	ASBESTOS
9	Hand wheel	FC200	18	Name plate	C2801 P