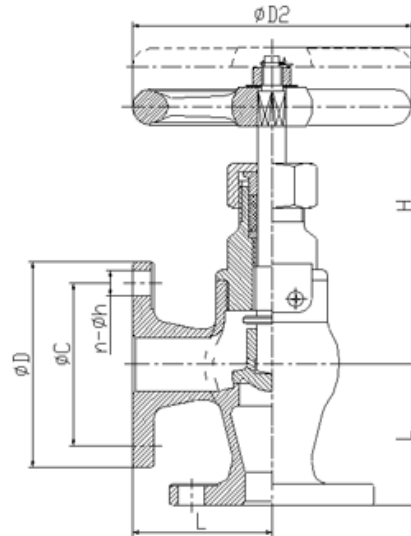


JIS F7352 screw-down check angle valve 5K



Dimension sheet

DN	L	D2	H	Flange size				Weight (Kg)
				D	C	n	H	
15	55	80	120	80	60	4	12	1.92
20	60	100	125	85	65	4	12	2.64
25	65	125	140	95	75	4	12	3.30
32	80	125	145	115	90	4	15	4.63
40	85	140	160	120	95	4	15	5.81

Material sheet

NO.	Component	Material	NO.	Component	Material
1	Body	BC6	8	Hand wheel	FC200
2	Bonnet	BC6 or C3771BD	9	Hexagon nut	C3604 BD
3	Disc	Or C3771BE	10	Split pin	C2600W
4	Packing gland	BC6 or C3771BD	11	Bonnet lock washer	C2600P
5	Gland nut	Or C3604BD	12	Packing	JIS F 7102
6	Stem	C3711BDorC3771BE	13	Name plate	C2801P
7	Cross recessed pan head machine plate	C2700W	14	Seat ring	C3771BD OrC3771BE or C3604BD