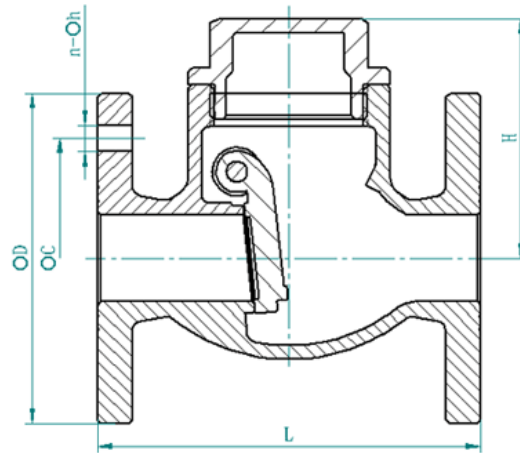


**JIS F7371 Bronze 5K swing check valve**



**Dimension sheet**

DN	L	H	Flange size				Weight (Kg)
			D	C	n	h	
25	110	69	95	75	4	12	2.24
32	130	79	115	90	4	15	3.33
40	140	93	120	95	4	15	4.34

**Material sheet**

No	Part name	Material
1	Body	JIS H 5111-BC6
2	Bonnet	
3	Disc	
4	Hinge Pin	JIS H3250-C3771BE
5	Plug	JIS H 3250-C3771BE
6	Gasket	JIS F7102