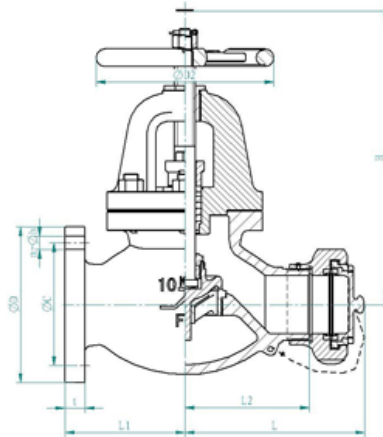


ZMC METAL

JIS F7333 cast iron globe hose valve 10K



Material sheet

No	Parts	Material	No	Parts	Material
1	BODY	CAST IRON	16	GLAND NUT	BRASS
2	SEAT RING	BRONZE	17	STEM	BRASS
3	COUPLING	BRONZE	18	NAME PLATE	BRASS
4	GASKET	ASBESTOS	19	SPLIT PIN	BRASS
5	COUPLING	BRONZE	20	LOCK WASHER	BRASS
6	CHAIN	BRASS	21	GLAND NUT	BRPMZE
7	GASKET	ASBESTOS	22	GASKET	ASBESTOS
8	CAP	BRONZE	23	BONNET BUSHING	BRPMZE
9	RING	BRONZE	24	PACKING	GRAPHITED ASBESTOS
10	GASKET	ASBESTOS	25	PACKING GLAND	BRASS/BRONZE
11	SET SCREW	BRASS	26	YOKE BUSHING	BRONZE
12	DISC	BRONZE	27	BONNET	CAST IRON
13	BONNET STUD BOLT	ROLLED STEEL	28	SET SCREW	ROLLED STEEL
14	BONNET NUT	ROLLED STEEL	29	HANDLE WHEEL	CAST IRON
15	GLAND NUT	BRASS	30	HANDLE NUT	BRASS

Dimensions

Size	Pressure	H	D	d	D1	t	L	l ₁
50	5kg/cm ²	270	130	50	160	16	165	105
50	10kg/cm ²	285	155	50	160	20	170	110
65	10kg/cm ²	310	175	65	200	22	200	135

CALL: +86-571-28938368

FAX: +86-571-87922182

- 1 -

Email: sales@zmcmetal.com