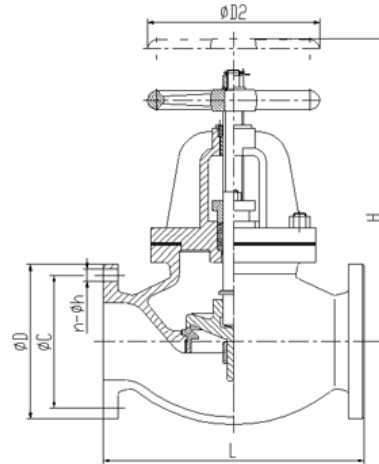
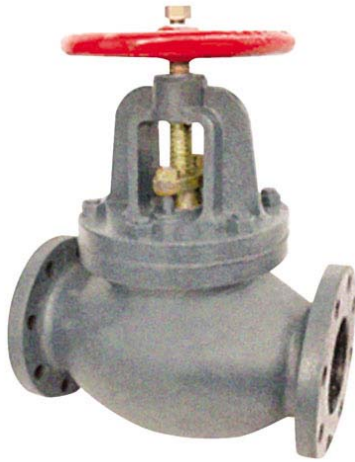


**JIS F7375 screw-down check globe valve 10K**



**Dimension sheet**

DN	L	D2	H	Flange size				Weight (Kg)
				D	C	n	h	
50	220	160	285	155	120	4	19	19.9
65	270	200	305	175	140	4	19	28.6
80	300	224	315	185	150	8	19	32.5
100	350	250	360	210	175	8	19	48.7
125	420	280	410	250	210	8	23	73
150	490	315	455	280	240	8	23	104
200	570	355	530	330	290	12	23	161

**Material sheet**

NO.	Component	Material	NO.	Component	Material
1	Body	FC200	10	Hexagon nut	SS400/C3604BD
2	Bonnet		11	Split pin	C2600W
3	Hand wheel		12	Lock pin	SS400
4	Disc	BC6	13	Disc lock washer	C2600P
5	Valve seat		14	Stud	SS400/C3771BD
6	Screw bonnet		15	Stem	C3771BD/ C3771BE
7	Seat ring		16	Packing	JIS F7102
8	Packing gland		17	Gasket	
9	Name plate	C2801P			