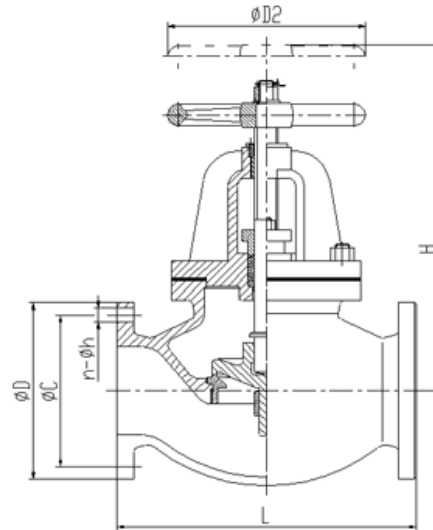
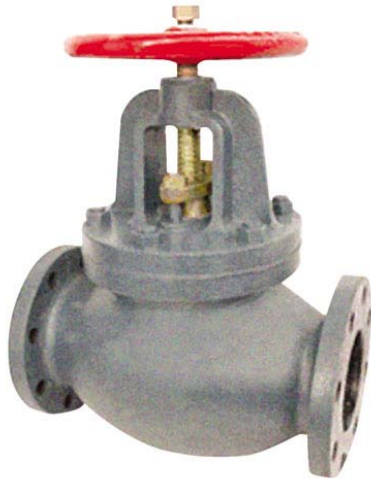


## ZMC METAL

### JIS F7377 screw-down check globe valve 5K



#### Dimension sheet

DN	L	D2	H	Flange size				Weight (Kg)
				D	C	n	h	
50	220	160	285	155	120	8	19	19.6
65	270	200	305	175	140	8	19	28.2
80	300	224	335	200	160	8	23	40.59
100	350	250	375	225	185	8	23	56.9
125	430	315	440	270	225	8	25	89.5
150	500	355	500	305	260	12	25	123

#### Material sheet

NO.	Component	Material	NO.	Component	Material
1	Body	FC200	10	Hexagon nut	SS400/C3604BD
2	Bonnet		11	Split pin	C2600W
3	Hand wheel		12	Lock pin	SS400
4	Disc	BC6	13	Disc lock washer	C2600P
5	Valve seat		14	Stud	SS400/C3771BD
6	Screw bonnet		15	Stem	C3771BD/ C3771BE
7	Seat ring		16	Packing	JIS F7102
8	Packing gland		17	Gasket	
9	Name plate		C2801P		

CALL: +86-571-28938368

FAX: +86-571-87922182

- 1 -

Email: [sales@zmcmetal.com](mailto:sales@zmcmetal.com)