

3-Piece Butt-Weld Stainless Steel Ball Valve



Dimension sheet

Size	d	L	H	E	C
1/4	11.6	68	50	100	14
3/8	12.7	68	50	100	17.5
1/2	15	72	60	130	22.7
3/4	20	82	64	130	27.5
1	25	90	71	165	33.5
1-1/4	32	112	78	165	42
1-1/2	38	120	86	190	48.6
2	50	145	95	190	60.5
2-1/2	65	185	130	250	76.3
3	80	210	148	250	90
4	100	268	173	280	106.5

Three-Piece Butt-Weld Stainless Steel Ball Valve



Dimension sheet

Size	d	L	H	E	C
1/4	11.6	68	50	100	14
3/8	12.7	68	50	100	17.5
1/2	15	72	60	130	22.7
3/4	20	82	64	130	27.5
1	25	90	71	165	33.5
1-1/4	32	112	78	165	42
1-1/2	38	120	86	190	48.6
2	50	145	95	190	60.5
2-1/2	65	185	130	250	76.3
3	80	210	148	250	90
4	100	268	173	280	106.5

ZMC METAL

Three-Piece Flanged Stainless Steel Ball Valve



Dimension sheet

Size	d	L	D	D1	D2	b	f	H	W	n-do
1/2	15	130	95	65	45	14	2	75	130	4-14
3/4	20	150	105	75	55	16	2	95	140	4-14
1	25	160	115	85	65	16	2	90	140	4-14
1-1/4	32	180	135	100	78	18	3	110	170	4-18
1-1/2	38	200	145	110	85	18	3	130	200	4-18
2	50	230	160	125	100	20	3	140	220	8-18
2-1/2	65	290	180	145	120	22	3	170	350	8-18
3	76	310	195	160	135	24	3	180	350	8-18
4	100	350	230	190	160	24	3	250	550	8-22

Material sheet

No	Part Name	Material	No.	Part Name	Material
1	Bolt	304	8	Stem	316
2	Washer	304	9	Stem packing	PTFE
3	Nut	304	10	Gland nut	316
4	Cap	CF8/CF8M	11	Washer	304
5	Body	CF8M	12	Nut	304
6	Ball	CF8M	13	handle	304
7	Joint Ring	PTFE			

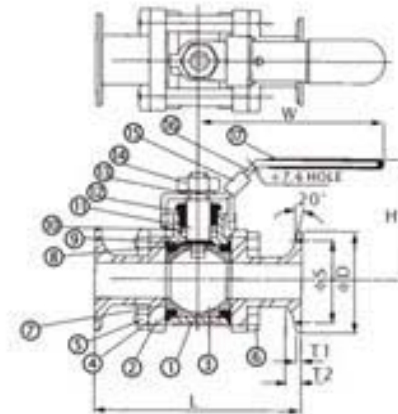
CALL: +86-571-28938368

FAX: +86-571-87922182

- 3 -

Email: sales@zmcmetal.com

3-Piece Clipped Stainless Steel Ball Valve



Dimension sheet

Size	PORT	L	D	S	H	T1	T2	E
1/2	9.6	75	25	20.24	64	-	3.63	125
3/4	15.9	90	25	20.24	67	-	3.63	125
1	22.2	100	50.4	43.60	83	2.85	4.75	140
1-1/4	28.5	110	50.4	43.60	89	2.85	4.75	140
1-1/2	34.9	125	50.4	43.60	100	2.85	-	200
2	47.5	150	63.9	56.30	108	2.85	-	200
2-1/2	60.2	190	77.4	70.60	150	2.85	-	
3	72.9	220	90	86.30	161	2.85	-	
4	97.4	270	118.9	110.30	180	2.85	-	

Material sheet

No.	Part Name	Material	No.	Part Name	Material
1	Body	CF8M	10	Stem seal	PTFE
2	CAP	CF8M	11	Stem	316
3	Ball	316	12	Gland nut	304
4	Bolt washer	304	13	Handle washer	304
5	Bolt Nut	304	14	Handle nut	304
6	Bolt	304	15	Locking pad	304(option)
7	Joint Ring	PTFE	16	Handle	304
8	Body seal	PTFE	17	Handle cover	Plastic
9	Thrust washer	PTFE	18		